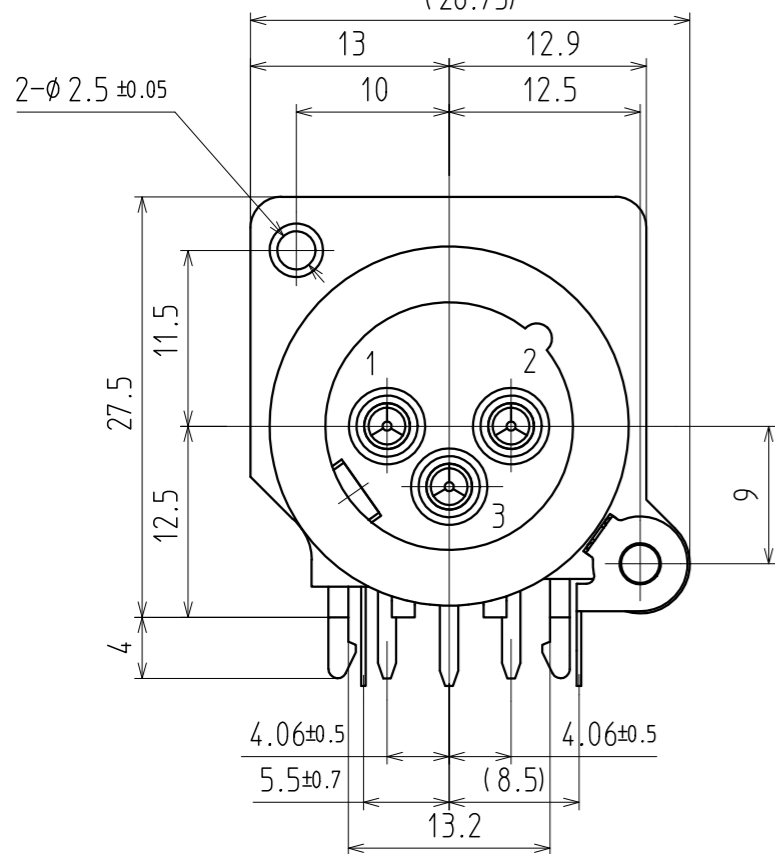
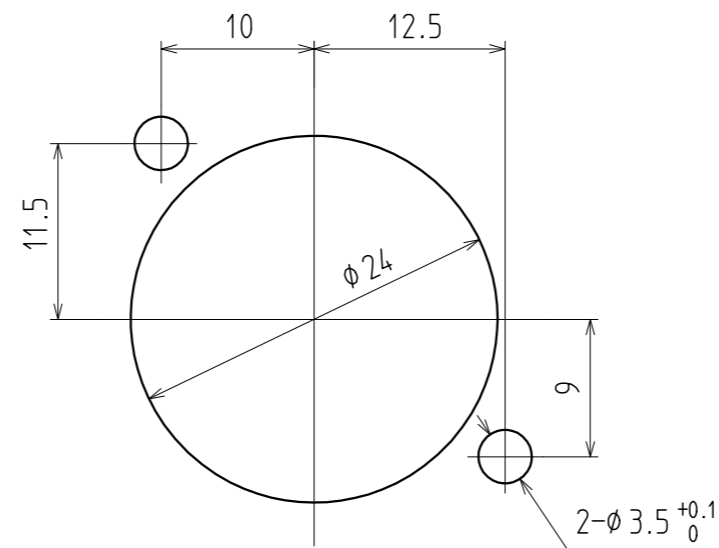


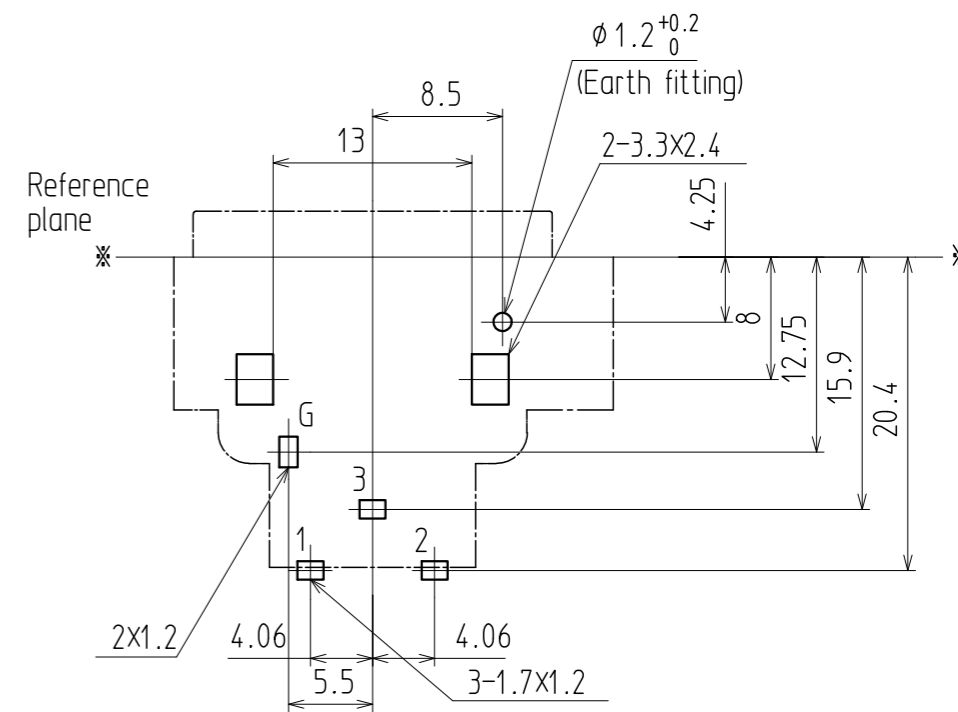
A  
(28.75)



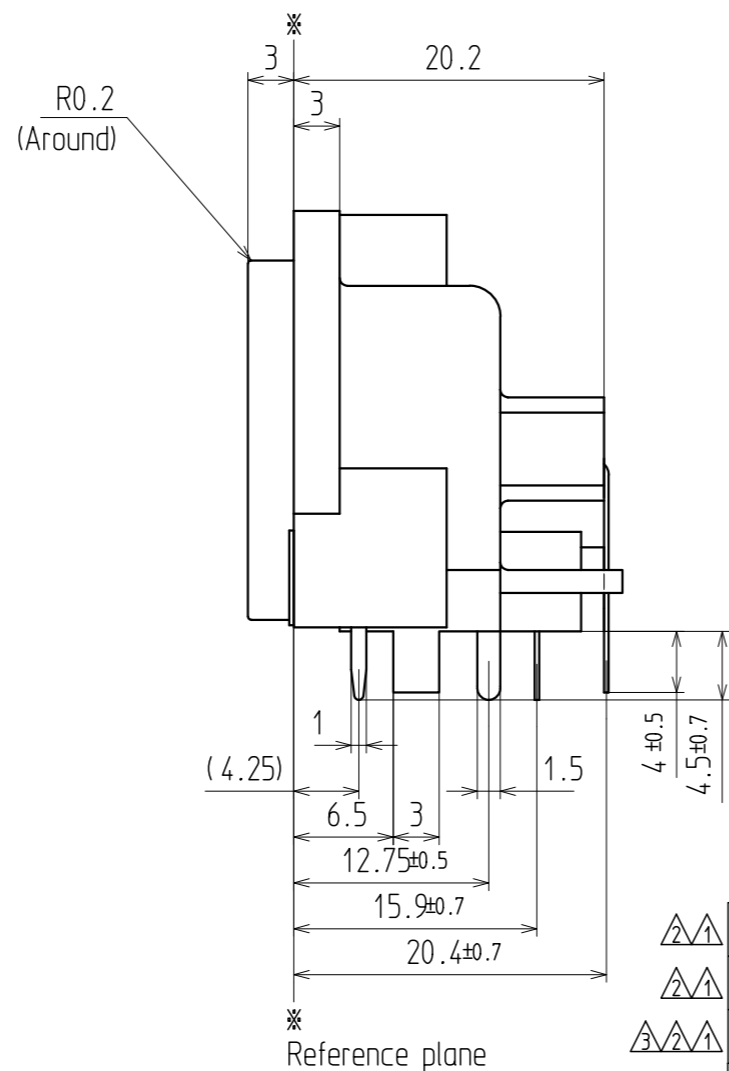
A



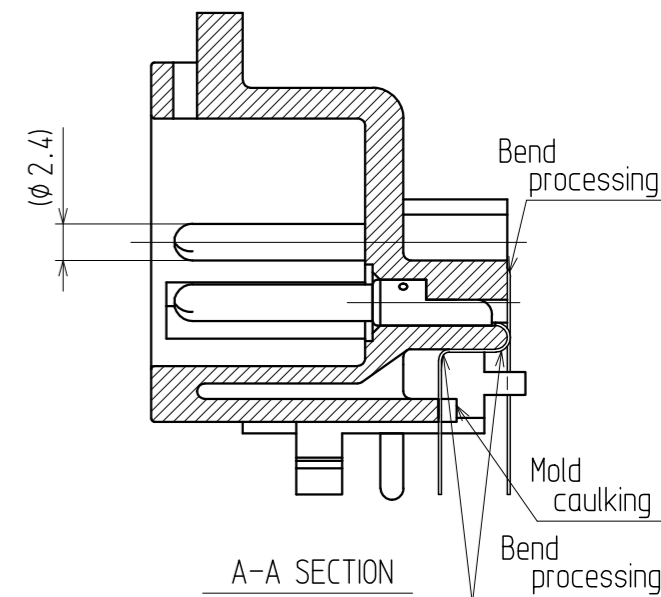
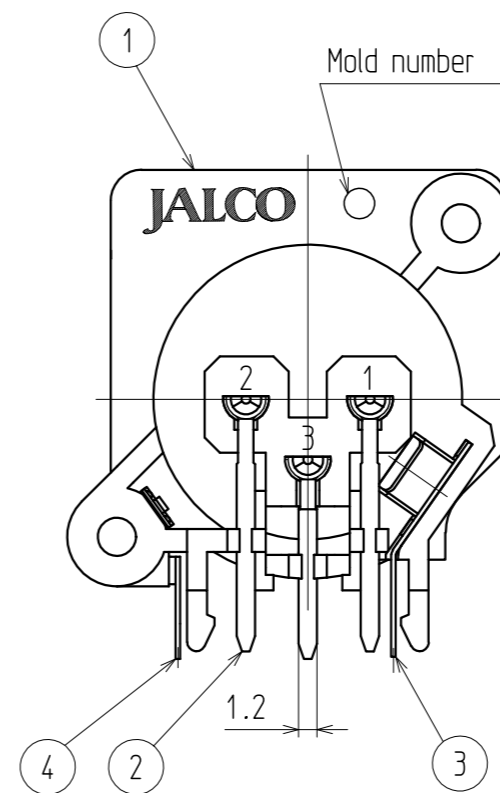
Referential dimension of panel-board holes  
(Tolerance all±0.1)



Referential dimensions of PC board holes  
(Printed-side view)(Tolerance all±0.1) t1.6



\* Reference plane



◇ Refer to attached sheet (detail of lead free solder plated) about lead free solder.

No.	PARTS NAME	CODE No.	QUANTITY	MATERIAL	MAKER	No.	UL	FINISH	REMARKS
4	EARTH FITTING	MET31-0258V	1	BRASS t0.3					LEAD FREE SOLDER PLATED
3	EARTH CONTACT	CNT82-0184V	1	PHOSPHOR BRONZE t0.3					LEAD FREE SOLDER PLATED
2	CONTACT	CNT88-0016N	3	BRASS t0.3					LEAD FREE SOLDER PLATED
1	HOUSING	MOL41-5392	1	PPHOX BLACK			94V-0		

REFERENCE DRAWING

TOLERANCE	X				
under 6	±0.3	X			
over 6 under 20	±0.4	△ X 1	CORRECTION : CNT88-0016V → CNT88-0016N	05-09-13	K.Hino
over 20 under	±0.5	△ X 4	CHANGE : CODE No. "V"(FOR Ni SUBSTRATE LEAD FREE PLATED)	05-09-06	K.Hino
over	±	△ X 4	ADD : CODE No. "N"(LEAD FREE)	'04-2-6	M.A
ANGLE(DEG)	± 5°	MARK	REVISIONS	DATE	SIGN

ALL DIMENSIONS IN ( ) ARE FOR REFERENCES ONLY				TITLE		ISSUED	
APPROVED	CHECKED	DRAWN	DESIGNED	ROUND CONNECTOR			
'90-11-26	'90-11-26	'90-11-22	'89-11-25	CODE No.	YKF52-5003V		
T.Matsukawa	T.Abe	Y.Oda	H.Morita	DRAWING No. :			
			M.Anzai	PAGE : -	REVISION :		
TOHOKU TATSUMI CO.,LTD				CUSTOMER CODE :			