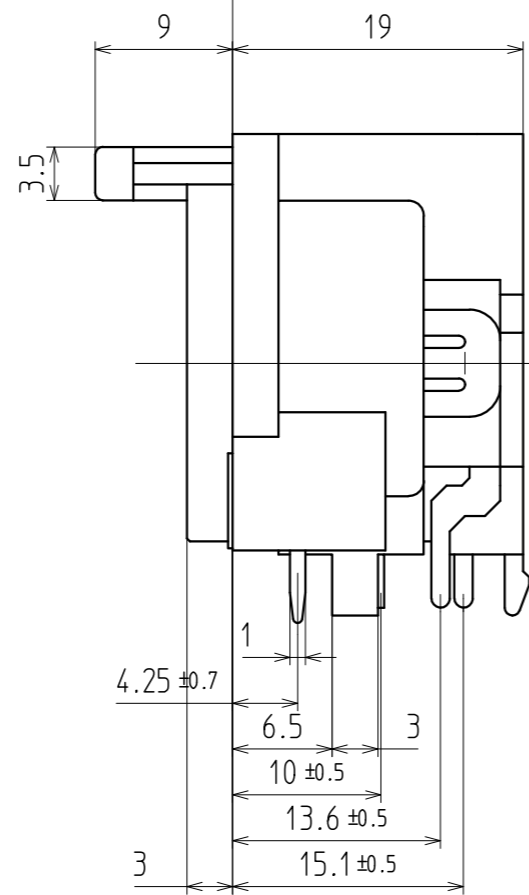
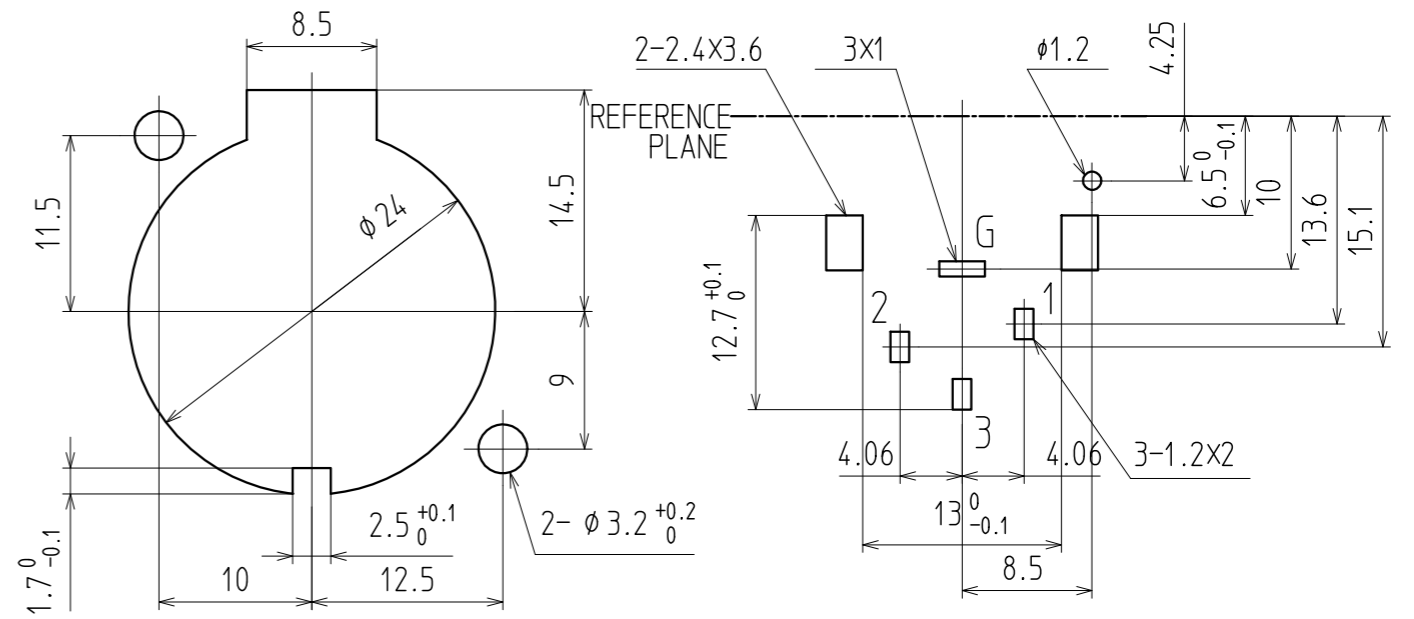


REFERENCE PLANE

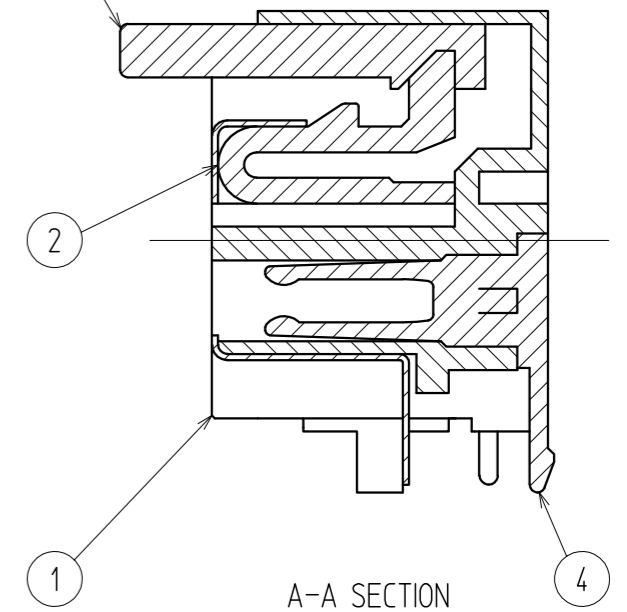
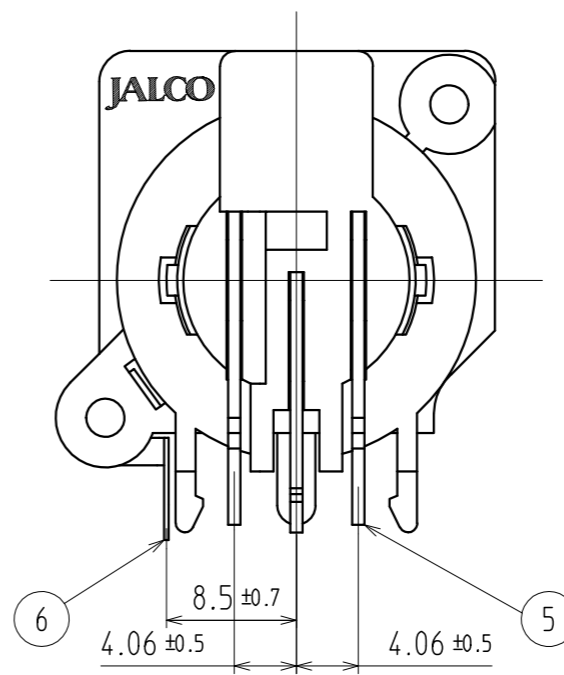


REFERENCE DRAWING



DIMENSIONS OF PANEL HOLES  
TOLERANCE ALL ± 0.1

Referential dimensions of PC board holes  
(Printed-side view)(Tolerance all ± 0.1) t1.6



◇ Refer to attached sheet (detail of lead free solder plated) about lead free solder.

6	EARTH FITTING	MET31-0258V	1	BRASS	t0.3				LEAD FREE SOLDER PLATED
5	CENTER CONTACT	CNT61-0320V	2	BRASS	t0.8				LEAD FREE SOLDER PLATED
4	CENTER CONTACT	CNT61-0321V	1	BRASS	t0.8				LEAD FREE SOLDER PLATED
3	NOB	MÖL41-5367	1	POM	GRAY			94HB	
2	OUTER CONTACT	CNT71-0375	1	BRASS	t0.4				NICKEL PLATED MBCu2-Ni3
1	HOUSING	MÖL41-5397	1	PPHOX	BLACK			94V-0	
No.	PARTS NAME	CODE No.	QUAN TITY	MATERIAL	MAKER	No.	UL	FINISH	REMARKS

TOLERANCE	X			
under 6	± 0.3	X		
over 6 under 20	± 0.4	X		
over 20 under	± 0.5	△ X 4	CHANGE : CODE No.*V*(FOR Ni SUBSTRATE LEAD FREE PLATED)	05-02-14 K.Hino
over	±	△ X 4	ADD : CODE No.*N*(LEAD FREE)	'04-2-6 M.A
ANGLE(DEG)	± 3°	MARK	REVISIONS	DATE SIGN

ALL DIMENSIONS IN ( ) ARE FOR REFERENCES ONLY				Ⓐ · P	TITLE	ROUND CONNECTOR	ISSUED
APPROVED	CHECKED	DRAWN	DESIGNED	Ⓞ □	CODE No.	YKF52-5005V△△	
'90-11-26	'90-11-26	'90-11-22	'90-3-23	UNIT	DRAWING No. :		
T.Matsukawa	T.Abe	Y.Oda	H.Morita	mm	PAGE : -	REVISION :	
TOHOKU TATSUMI CO.,LTD				SCALE	2/1		